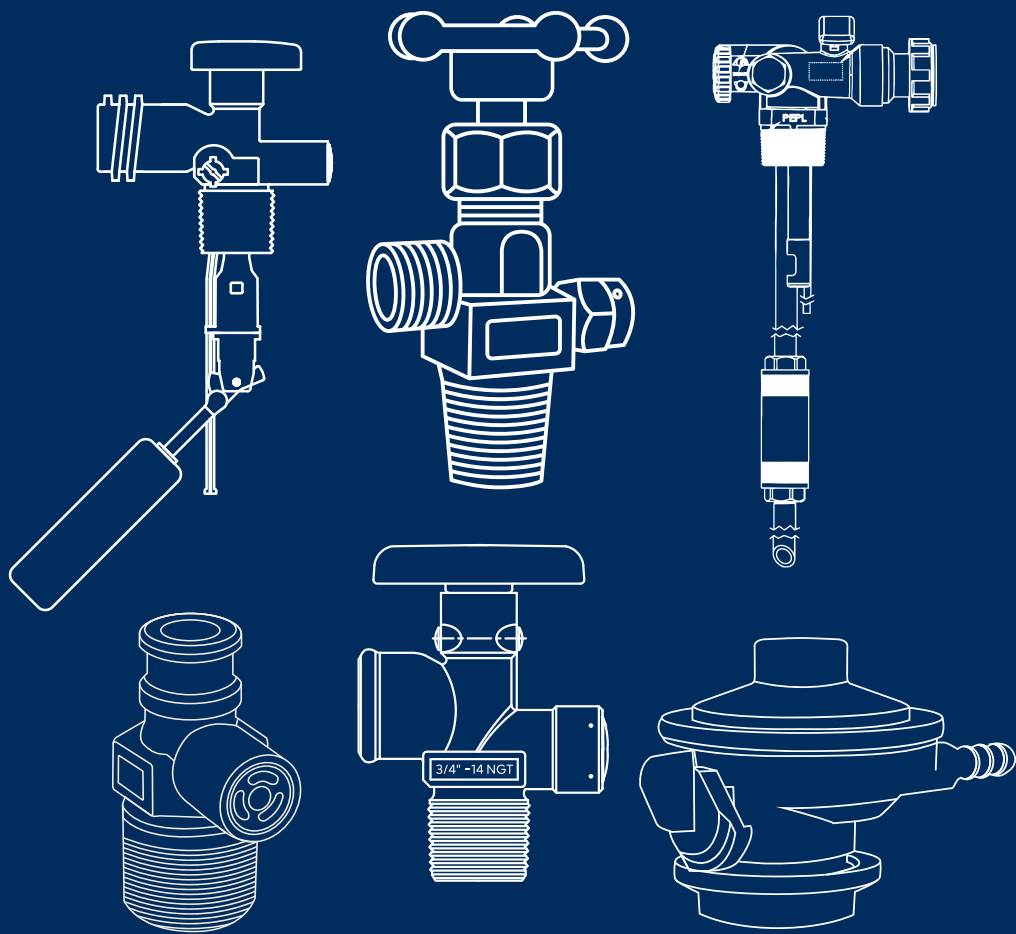


# VALVES, REGULATORS & EQUIPMENTS

FOR DIFFERENT GAS APPLICATIONS



PRABH

ELECTRONICS PVT. LTD.



## FOR NEARLY 3 DECADES, PRABHA ELECTRONICS HAS BEEN THE LEADING PROVIDER OF SYSTEM-CRITICAL COMPRESSED GAS SOLUTIONS SERVING BLUE-CHIP BULK AND SPECIALTY GAS MANUFACTURERS AND DISTRIBUTORS.

We are an ISO 9001:2015 certified, one of the largest manufacturers of LP Gas Valves, Industrial Valves and Regulators in India and produce around one million valves and 0.5 million regulators per month. Our Products are duly certified by Bureau of Indian Standards (BIS), Bureau Veritas India (BVI) and Chief Controller of Explosive (CCOE).

### **We have a varieties of valves and Regulators as:**

1. LP Gas/ Propane Valves – OPD Valves for DOT Propane Cylinder (up to 40lbs capacity), POL Valve with Outage Screw and Dip Tube (up to 100lbs capacity, Combo Valve – Model CV1 & Model CV2 (For big cylinders, up to 2200 lbs), Actuator Valve, Quick Coupling Connector (QCC), Self Closing Valve (SC Valve), Self Closing Valve with SRV (20mm, 21.5mm, 22mm & 25.6mm), Camping Valve, Camping Valve with Regulator, Liquid Off-take Valve and Pressure Relief Valve, etc.
2. Industrial Gas Valves - Oxygen (O<sub>2</sub>) Valve, Medical Oxygen (M O<sub>2</sub>) Valve, Carbon Dioxide (Co<sub>2</sub>) Valve, Hydrogen (H<sub>2</sub>) Valve, Nitrogen (N<sub>2</sub>) Valve, Argon (Ar) Valve, Helium (He) Valve, Nitrous Oxide (N<sub>2</sub> O) valve, Chlorine (Cl<sub>2</sub>) Valve, Acetylene (C<sub>2</sub> H<sub>2</sub>) Valve, Hydrogen (H<sub>2</sub>) Valve, Refrigerant Gas Valve, IHP Extinguisher Valve (ABC Valve), CNG Valve, CNG Cascade Valves, CNG Filler Valve and PNG Valve, etc.
3. Regulators – LP Gas Regulator and PNG Regulator.

We have earned a reputation for products that not only keep pace with customer requirements, but also anticipate their changing needs. Our expert engineering and product development teams continuously work to improve Prabha's core competencies and create new, innovative products to meet the industry's ever-changing standards and demands.

We have to our credits production capacities (on annual basis) as

Approx. 1.5 Crores LPG Valve  
Approx. 6 lacs LPG Cylinders  
Approx. 50 lacs Domestic Regulators  
Approx. 4 lacs High Pressure Compressed Cylinder Valves

### **In-house facilities**

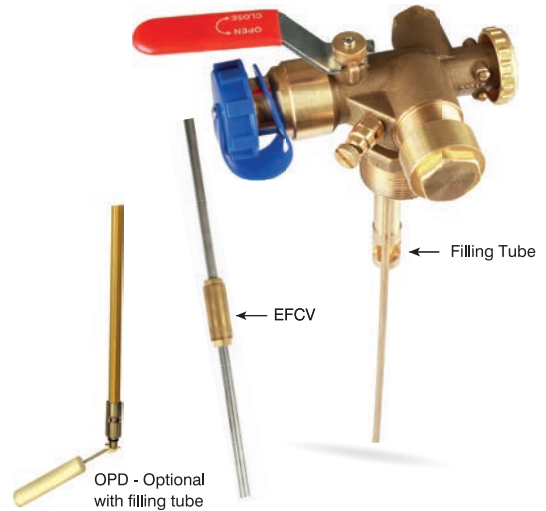
Forging presses with capacities ranging from 100 T to 400 T - 10 nos.  
CNC Turning Centres - 42 nos.  
Hot Chamber Pressure Die Casting Machines - 10 nos.  
Nickel Chrome Electroplating Plant  
Equipped QC Lab with all testing and measuring requirements



## Combo Multifunctional Valve (Model CV – 1)

### Product Specifications:

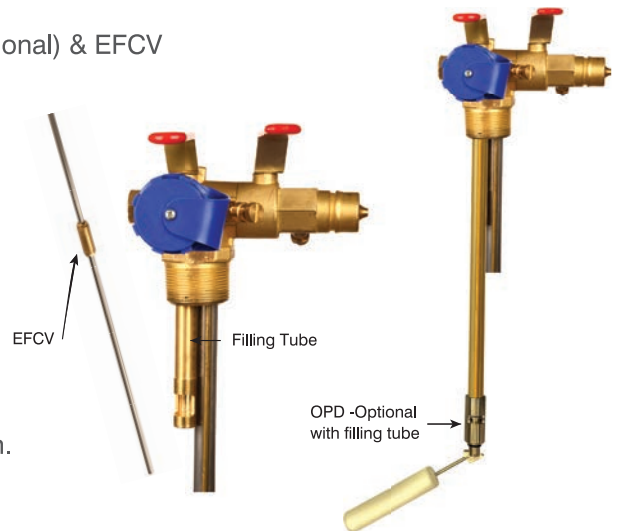
- Product Name: Combo Multifunctional Valve
- Approval: PESO Approved
- Product Standard :EN 13175
- Working Pressure: 30 Bar
- Operating Temperature : -20°C to 65 ° C
- Inlet Connection: 1-1/2 " -11.5 NPT
- Outlet Vapours Connection: P.O.L 0.885 LH
- Filling Connection : 1-3/4 " – 6ACME-2G
- Liquid Outlet Connection: M36 X 2
- Average Liquid Fill rate: 130 Liters/min.
- Average Liquid Withdrawal Rate: 62.5 Liters / min.
- Average Vapour Withdrawal Rate: 21 m<sup>3</sup>/hour



## Combo Multifunctional Valve (Model CV – 2)

### Product Specifications:

- Product Name: Combo Multifunctional Valve  
with in-built Actuator & OPD (Optional) & EFCV
- Approval: PESO Approved
- Product Standard :EN 13175
- Working Pressure: 30 Bar
- Operating Temperature : -20°C to 65 ° C
- Inlet Connection: 1-1/2 " -11.5 NPT
- Outlet Vapours Connection: P.O.L 0.885 LH
- Filling Connection : 1-3/4 " – 6ACME-2G
- Liquid Outlet Connection: M36 X 2
- Average Liquid Fill rate: 130 Liters/min.
- Average Liquid Withdrawal Rate: 62.5 Liters / min.
- Average Vapour Withdrawal Rate: 21 m<sup>3</sup>/hour



## Liquid Off Take (LOT) Valve for LPG

Outlet	1-1/4"-5 acme -2G-RH (EXT)
Inlet	3/4x14 NGT Taper 1:16
Safety relief	26 Bar / as per customer requirements
Relief flow cap	6m <sup>3</sup> /10 m <sup>3</sup> as per customer requirements
Material for valve body	EN 12165
Reference standard	IS 16484 / ISO 15995
Approval	Bureau Veritas & PESO approved



## Self Closing Valve

### Product Specifications:

- Product Name: Self Closing Valve
- Model: SCV22, SCV 25.6
- Product Name Self closing valve
- Approval: BIS and PESO approved
- Product Standard: IS:8737
- Inlet Connection of Valve: 3/4" 14 NGT
- Outlet Connection of Valve : In SCV22=22 mm,  
In SCV25=25.6mm
- Materials: Body: Brass, Rubber Parts: Nitrile,  
Springs: Stainless Spring Steel.
- Operating Temperature : -20°C to 65 ° C



## Self Closing Valve with Safety Relief

### Product Specifications:

- Model: D20 ,D21.5, D22, D25
- Product Name: Self closing valve with safety relief
- Approval: SLSI Approved
- Product Standard : ISO 14245 / SLS 1184
- SRV Set Pressure: (26 Bar +10%) Bar
- Safety Flow Rate: 4.6 M3/min (air)
- Inlet Connection of Valve: 3/4" 14 NGT
- Outlet Connection of Valve : In D20=20mm  $\pm$  0.1, In D21.5=21.5mm  $\pm$  0.1  
In D22=20mm  $\pm$  0.1, In D25=25.6mm  $\pm$  0.1
- Materials: Body: Brass, Rubber Parts: Nitrile, Springs: Stainless Spring Steel.
- Operating Temperature : -20°C to 65°C



## Camping Valve

### Product Specifications:

Product Name: Camping Valve

- Valve Body : Brass
- O-Ring & Rubber Washer : Nitrile Rubber
- Springs: Stainless Spring Steel / Coated Steel.
- Conforms to the requirements of ISO 14245.
- Inlet Thread Size: M22 X 1.25 (As per EN 15202)
- Boll Height from Top: 10.3 + 0.20 / -0.00 mm
- Hex Size: 28  $\pm$  0.15 mm

### Features:

- I. Camping Valve is used for LPG withdrawal purpose, from LPG Cylinders.
- II. Camping Valve is a type of self-closing Valve.



## Pressure Relief Valve (PRV)

### Product Specifications:

Product Name: Pressure Relief Valve (PRV)  
Approval: PESO Approved  
Product Standard : EN 13953  
Set Pressure: 17.65 Bar  
Flow Rate: 58.29 M<sup>3</sup>/min (air)  
Inlet Connection of Check Valve: 1-1/4" NPT  
Inlet Connection of SRV: 3/4" NPSM  
Materials: Body: Brass, Rubber Parts: Nitrile,  
Springs: Stainless Spring Steel.  
Operating Temperature : -20°C to 65 ° C



## Actuator Valve

### Product Specifications:

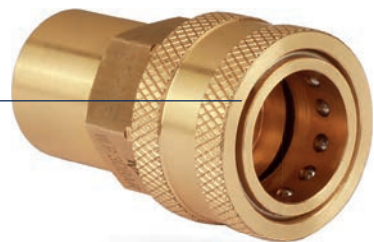
Product Name: Actuator Valve  
Approval: PESO Approved  
Product Standard : EN 13175  
Working Pressure: 30 Bar  
Materials: Body: Brass, Rubber Parts: Nitrile,  
Springs: Stainless Spring Steel  
Operating Temperature : -20°C to 65 ° C  
Inlet Connection: M36 X 2 mm Female Thread  
Outlet Connection : Self Closing Valve of dia 29.0 mm  
suitable to inner Dia of QCC  
Rated Flow: 62-5 Litter/min



## Quick Coupling Connector (QCC)

### Product Specifications:

Product Name: Quick Coupling Connector (QCC)  
Approval: PESO Approved  
Product Standard : ISO 14245  
Working Pressure: 30 Bar  
Materials: Body: Brass, Rubber Parts: Nitrile,  
Springs: Stainless Spring Steel.  
Operating Temperature : -20°C to 65 ° C  
Inlet Connection: Click on type to suit with Actuator's  
Outer Dia 29.0 mm for locking & sealing  
Outlet Connection : 3/4" BSPT X 14 TPI  
Rated Flow: 62.5 Litters / min.



# OPD Valve for Dot Propane/ LPG Cylinder with Outage Screw and Dip Tube (Up to 40lbs Capacity)

## Product Specifications:

- Models: PV20DT4 (For 20lbs Capacity), PV30DT4.8 (For 30lbs Capacity) & PV40DT6.5 (For 40lbsCapacity)
- Product Name: OPD VALVE FOR DOT PROPANE CYLINDER (Up to 40lbs Capacity)
- Approval: UL
- Product Standard : UL 1769
- SRV Set Pressure: 375 psig (2.6Mpa)
- Inlet Connection of Valve: 3/4" 14 NGT
- Outlet Connection of Valve : Type 1 ACME and POL (CGA791)
- Materials: Body: Brass, Rubber Parts: Nitrile Rubber, Springs: Stainless Spring Steel.
- Operating Temperature : -40°C to 55°C
- Dip Tube Length: 4.0" (For 20lbs Capacity), 4.8" (For 30lbs Capacity) & 6.5" (For 40lbsCapacity)



# POL Valve with Outage Screw and Dip Tube (Up to 100lbs Capacity)

## Product Specifications:

- Model: PV100DT10.6 (For 100lbs Capacity)
- Product Name: POL VALVE WITH OUTAGE SCREW AND DIP TUBE (Up to 100lbs Capacity)
- Approval: UL (Under Process)
- Product Standard : UL 1769
- SRV Set Pressure: 375 psig (2.6Mpa)
- Inlet Connection of Valve: 3/4" 14 NGT
- Outlet Connection of Valve : POL 0.885-14 NGO-LH-INT (CGA510)
- Materials: Body: Brass, Rubber Parts: Nitrile Rubber, Springs: Stainless Spring Steel.
- Operating Temperature : -40°C to 55°C
- Dip Tube Length: 10.6" (For 100lbs Capacity)



## POL Valve with SRV for High Flow

### Product Specifications:

- Models: POLHF5/8
- Product Name: POL Valve with SRV for High Flow
- Approval: SABS Approved
- Product Standard : SANS 199 & NOM
- SRV Set Pressure: 2580 kpa
- Safety Flow Rate: 12 m<sup>3</sup>/Min./Air
- Inlet Connection of Valve: 3/4" 14 NGT
- Outlet Connection of Valve : 5/8" BSP LH & 0.885"-14 NGO-LH-INT
- Materials: Body: Brass, Rubber Parts: Nitrile Rubber, Springs: Stainless Spring Steel.
- Operating Temperature : -40°C to 55°C



## Camping Valve with Regulator

### Product Specifications:

- Models: CAMRG3/8
- Product Name: CAMPING VALVE WITH REGULATOR
- Approval: SABS Approved
- Product Standard : SANS 199
- SRV Set Pressure: 2580 kpa
- Safety Flow Rate: 3 m<sup>3</sup>/Min./Air
- Inlet Connection of Valve: 1/2" 14 NGT
- Outlet Connection of Valve : G3/8" BSP
- Materials: Body: Brass, Rubber Parts: Nitrile Rubber, Springs: Stainless Spring Steel.
- Operating Temperature : -40°C to 55°C



# INDUSTRIAL GAS VALVES

---



## Nitrous Oxide (N<sub>2</sub>O)

Outlet	3
Inlet Size	25.4 mm 1 in 8 or 18.16 mm 1 in 8 or 3/4" NGT 1 in 16 or 28.8 mm 3 in 25 or 31.75 mm 1 in 8
Valve Outlet Size	Ext. W 17.46 x 1.27 RH
SS Spindle Size	6.0 mm
Material of Valve Body	High Tensile Brass (Forged)
Working Pressure	200 kgf/cm <sup>2</sup>
Ref. Standard	IS 3224



## Nitrogen (N<sub>2</sub>)

Outlet	20
Inlet Size	25.4 mm 1 in 8 or 18.16 mm 1 in 8 or 3/4" NGT 1 in 16 or 28.8 mm 3 in 25 or 31.75 mm 1 in 8
Valve Outlet Size	G 3 / 4 A - RH (Ext.)
SS Spindle Size	7.1 mm
Material of Valve Body	High Tensile Brass (Forged)
Working Pressure	200 kgf/cm <sup>2</sup>
Ref. Standard	IS 3224

## Chlorine (Cl<sub>2</sub>)

Outlet	5
Inlet Size	25.4 mm 1 in 8 or 18.16 mm 1 in 8 or 3/4" NGT 1 in 16 or 28.8 mm 3 in 25 or 31.75 mm 1 in 8
Valve Outlet Size	G 5 / 8 - RH (Int.)
Monel Metal Spindle Size	9.5 mm
Material of Valve Body	High Tensile Brass (Forged)
Working Pressure	35 kgf/cm <sup>2</sup>
Ref. Standard	IS 3224





## Oxygen (O<sub>2</sub>) key type

Outlet	3
Inlet Size	25.4 mm 1 in 8 or 18.16 mm 1 in 8 or 3/4" NGT 1 in 16 or 28.8 mm 3 in 25 or 31.75 mm 1 in 8
Valve Outlet Size	G 5 / 8 - RH (Int.)
SS Spindle Size	7.1 mm
Material of Valve Body	High Tensile Brass (Forged)
Working Pressure	200 kgf/cm <sup>2</sup>
Ref. Standard	IS 3224

## Carbon Dioxide (CO<sub>2</sub>) Key Type

Outlet	7
Inlet Size	25.4 mm 1 in 8 or 18.16 mm 1 in 8 or 3/4" NGT 1 in 16 or 28.8 mm 3 in 25 or 31.75 mm 1 in 8
Valve Outlet Size	Ext. W - 21.8 (RH)
SS Spindle Size	9.5 mm
Material of Valve Body	High Tensile Brass (Forged)
Working Pressure	160 kgf/cm <sup>2</sup>
Bursting Pressure Range of Bursting Disc	200-220 Kg F/cm <sup>2</sup>
Ref. Standard	IS 3224



## Carbon Dioxide (CO<sub>2</sub>) Hand Wheel Type



Outlet	7
Inlet Size	25.4 mm 1 in 8 or 18.16 mm 1 in 8 or 3/4" NGT 1 in 16 or 28.8 mm 3 in 25 or 31.75 mm 1 in 8
Valve Outlet Size	Ext. W - 21.8 (RH)
SS Spindle Size	
Material of Valve Body	High Tensile Brass
Working Pressure	160 kgf/cm <sup>2</sup>
Bursting Pressure Range of Bursting Disc	200-220 Kg F/cm <sup>2</sup>
Ref. Standard	IS 3224



## Medical Oxygen

Outlet	3
Inlet Size	25.4 mm 1 in 8 or 18.16 mm 1 in 8 or
Valve Outlet Size	G 5 / 8 - RH (Int.)
SS Spindle Size	7.1 mm
Material of Valve Body	High Tensile Brass (Forged)
Working Pressure	200 kgf/cm <sup>2</sup>
Ref. Standard	IS 3224

## CNG Hand Wheel Type

Outlet	21
Inlet Size	25.4 mm 1 in 8 or 18.16 mm 1 in 8 or 31.75 mm 1 in 8
Valve Outlet Size	G 5 / 8 - LH (Int.)
SS Spindle Size	
Material of Valve Body	High Tensile Brass (Forged)
Working Pressure	204 kgf/cm <sup>2</sup> & 260 kgf/cm <sup>2</sup>
Ref. Standard	IS 3224

Bursting Pressure of Safety Disc- 300 to 330 kgf/cm<sup>2</sup> & 350 to 385 kgf/cm<sup>2</sup>  
and Yield Temperature of Fusible Plug 125±10°C



## CNG Filler Valve

Outlet	
Inlet Size	
Valve Outlet Size	½ BSP RH
SS Spindle Size	Knob Type - (Brass)
Material of Valve Body	High Tensile Brass (Forged)
Working Pressure	204 kgf/cm <sup>2</sup>



## Refrigerant

Outlet	5
Inlet Size	25.4 mm 1 in 8 or 18.16 mm 1 in 8 or 3/4" NGT 1 in 16 or 28.8 mm 3 in 25 or 31.75 mm 1 in 8
Valve Outlet Size	G 5 / 8 A - RH (Int.)
SS Spindle Size	9.5 mm
Material of Valve Body	High Tensile Brass (Forged)
Working Pressure	160 kgf/cm <sup>2</sup>
Ref. Standard	IS 3224

## Pin Index Type O<sub>2</sub>, N<sub>2</sub>O, Air, CO<sub>2</sub>

Outlet	
Inlet Size	18.16 mm 1 in 8
Valve Outlet Size	
SS Spindle Size	5.5 mm
Material of Valve Body	High Tensile Brass
Working Pressure	160 kgf/cm <sup>2</sup>
Ref. Standard	IS 3745



## Accetylene / Hydrogen (C<sub>2</sub> H<sub>2</sub>) / H<sub>2</sub>

Outlet	2
Inlet Size	25.4 mm 1 in 8 or 18.16 mm 1 in 8 or 3/4" NGT 1 in 16 or 28.8 mm 3 in 25 or 31.75 mm 1 in 8
Valve Outlet Size	G 5 / 8 - LH (Int.)
SS Spindle Size	7.1 mm
Material of Valve Body	High Tensile Brass (Forged)
Working Pressure	200 kgf/cm <sup>2</sup>
Ref. Standard	IS 3224





## Sulphur Hexafluoride (SF<sub>6</sub>)

Outlet number	5
Inlet thread size	25.4 mm taper 1:8
Valve outlet size	G 5/8 RH (EXT)
Spindle	Brass
Material for valve body	High tensile brass
Working pressure	200 kgf/cm <sup>2</sup>
Reference standard	IS 3224

## Oxygen (O<sub>2</sub>) Double Spindle Soft Seat

Outlet number	3
Inlet thread size	25.4 mm taper 1 : 8
Valve outlet size	G 5/8 RH (INT)
Spindle	Brass
Material for valve body	High Tensile Brass
Working pressure	200 kgf/cm <sup>2</sup>
Reference standard	IS 3224



## CO<sub>2</sub> Lever Operated Squeeze Grip Valve

Outlet	7
Inlet Size	25.4 mm 1 in 8 or 18.16 mm 1 in 8 or 3/4" NGT 1 in 16 or 28.8 mm 3 in 25 or 31.75 mm 1 in 8
Valve Outlet Size	Ext. W - 21.8 (RH)
Spindle Material	Brass
Material of Valve Body	High Tensile Brass
Working Pressure	160 kgf/cm <sup>2</sup>
Bursting Pressure Range of Bursting Disc	200-220 Kg F/cm <sup>2</sup>
Ref. Standard	IS 3224

# IHP Valve

**IHP Valve** is known as fire suppression indirect high pressure valve for CO<sub>2</sub> gas (i.e IHP Valve for CO<sub>2</sub>)

## Key Advantages :

- This Valve is used in conjunction with fire detect sensor tubing to detect and suppress fires in a small enclosed space.
- Indirect configurations in area < 5m<sup>3</sup>
- Integrated pressure reducing valve, rupture safety disc, spring-loaded safety valve, filling valve, ball valve with sensor tube connector.
- Compact and flexible - permits installation inside individual equipment, closer to the source of a potential fire.

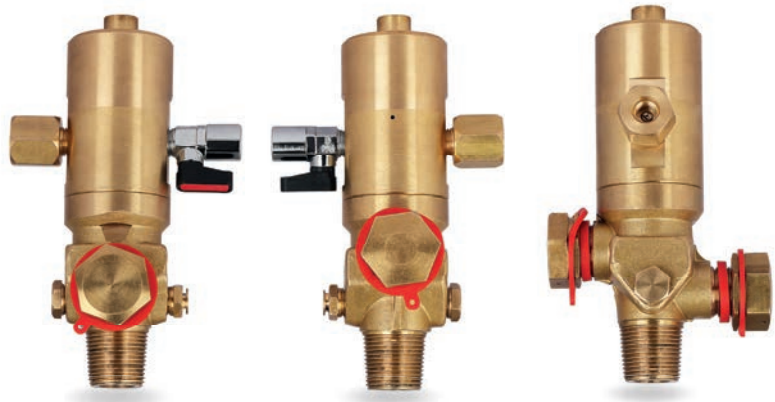
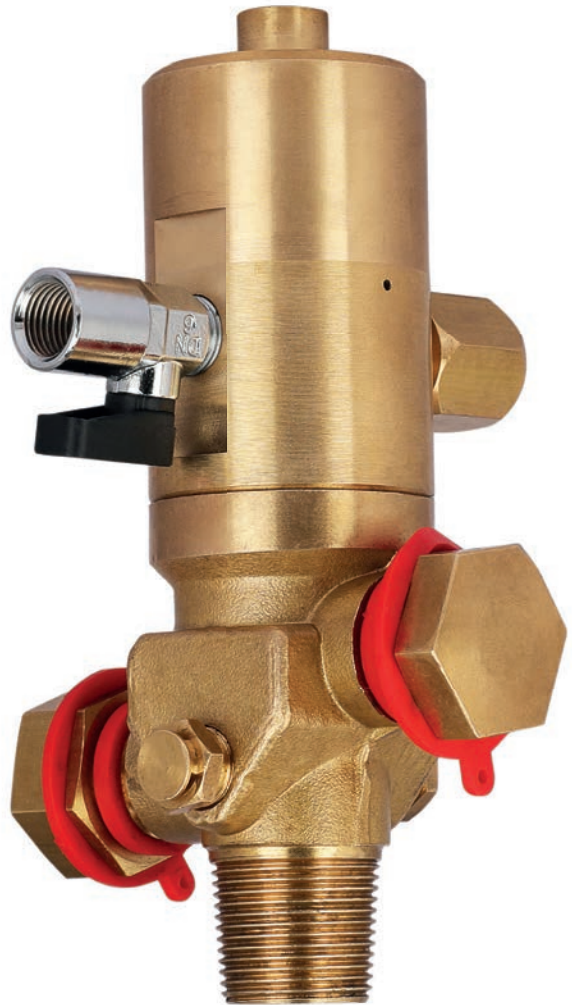
## Product Specification :

Material : Brass (Forged)  
Seat Material : PA6.6, EPDM  
Spring : Nickel Steel  
Suppression Agent : Carbon Dioxide  
Working Pressure of Valve : 60 ± 5 bar  
Working Pressure of Actuator : 20 ± 5 bar  
Inlet Thread : 25.4 X 1.814 RH  
Outlet Thread : 7/8" X 14 TPI UNF  
Filling Thread : 7/8" X 14 TPI UNF  
Gauge Connection : 9/16" X 18 TPI UNF  
Safety Connection : 1/4 " X 19 TPI, BSPP  
Valve Seat : 12 mm  
Rupture Disc : 200 - 220 bar as per IS-3224 for CO<sub>2</sub>  
Safety Valve : 35 ± 5 bar  
Weight : Approx 1.9 Kg  
Flow Rate With CO<sub>2</sub> : 100 Kg / min  
Operating Range : -20°C to 65°C  
PESO Approval No. : G.3(40)297 Dated : 07.09.2021

## Product Feature :

Easy to fit  
Zero Maintenance  
Longer Service Life

## Customization Option Available



# ABC Fire Extinguisher Valve

---

## Product Specifications

Material - Brass

Inlet Thread - M30 x 1.5 mm

Outlet Thread - M12 x 15mm

Gauge Connection Thread - M 10 x 1 mm

Dip Tube Thread - M10 x 1.5 mm

Body Surface Finish - Nickel Chrome Plated

Handle Finish - Powder Coated

## Product Features

Easy to fit

Zero Maintenance

Longer Service Life

---

**Customization  
option available**

---



# REGULATORS



# PNG Regulator

## Product Technical Specifications:

- Product Name: Piped Natural Gas (PNG) Regulator (Model No. PR-01)
- Product Standard: EN 88 class A, Group 2, 2<sup>nd</sup> family, Direct Acting Pressure, size 20 DN (3/4")
- Drawing No. PE/PNG/00, Rev 0
- Other Details:

## General

- Design:** Single Stage pressure regulator with spring control diaphragm with inbuilt pressure balance regulating unit to ensure a constant outlet pressure.
- Connection Orientation:** Inlet Outlet Connection at 90° / in line.
- Installation:** Suitable for Indoor installations, temper proof and corrosion resistance.
- Installation Position:** Horizontal / Vertical

## Flow

- Capacity:** 2.5 m<sup>3</sup> / h

## Pressure & Temperature

- Inlet Pressure Range:** 25 mbar (g) – 110 mbar (g), Nominal - 70 mbar (g)
- Outlet Pressure Range:** 21 mbar ±15% max. variation
- Under Pr. shut Off Range (UPS0):** 10-20 mbar (g), Nominal UPS0 - 15mbar (g)
- Operating Temperature:** -20°C to 60°C

## Connections

- Inlet X Outlet:** 3/4" BSPT (F) X 3/4" BSPT (F)

## Material

- Casing:** Pressure Die Casted Aluminium Alloy

## Internals

- Elastomers:** Nitrile Rubber (Buna - N)
- Internals:** Aluminium, Brass, Delrin & Stainless Steel

## Others

- Filter:** In-built
- Type of Reset:** UPS0 Auto Reset / Manual



# Domestic LPG Regulator

## Product Specifications:

- Product Name: Domestic LPG Regulator
- Model: SR22 & SR 25
- Approval: BIS and PESO approved
- Product Standard : IS: 9798
- Inlet Connection of Regulator: In S22=22.0 mm, In SR25= 25.4 mm
- Outlet Connection of Regulator : Nozzle for 6.4 mm or 7.0 mm Hose
- Materials: Body: Zinc Alloy (ZAMAK-5), Rubber Parts: Nitrile, Springs: Stainless Spring Steel.
- Operating Temperature : -20°C to 65°C



# Domestic LPG Regulator

## Product Specifications:

- Product Name: Domestic LPG Regulator
- Model: SR 20
- Product Standard : EN: 16129
- Inlet Connection of Regulator: In SR20=20 mm, (G 52)
- Outlet Connection of Regulator : Nozzle for 10 mm, (H 50) or 7.0 mm Hose
- Materials: Body: Zinc Alloy (ZAMAK-5), Rubber Parts: Nitrile, Springs: Stainless Spring Steel.
- Operating Temperature : -20°C to 65°C
- Flow Range : 1.5 kg/hr
- Outlet Pressure : 30 mbar



# OPD VALVE FOR DOT PROPANE CYLINDER

## (Up to 40lbs Capacity)

These Type 1 ACME valves (CGA791) are intended for DOT cylinders up to 40 pounds LPG capacity (96 pounds water capacity). This valve has a vapor service outlet with shutoff, relief valve, captive fixed liquid level gauge, and an overfill prevention device (OPD).

### Key Features :

1. Rapid purging and filling with over one million BTU withdrawal capacity.
2. Tri-lobular one-piece aluminum handwheel.
3. Double “O-ring” stem seal for improved leak resistance.
4. Quality “O-ring” check valve seat, opens only with positive seal.
5. High capacity BTU withdrawal allows fast purging and filling.
6. Upward spray filling – eliminates premature shutoffs.
7. Robust, durable forged brass body, precisely machined internal components and design elements meet the most stringent valve performance standards.



### Technical Data Sheet:

Model Name	Cylinder Capacity	Intel Connection	Outlet Connection	SRV Setting	Dip Tube Length
PV20DT4	20 lbs	3/4" 14 NGT	Type 1 ACME & POL	375 PSIG	4.0"
PV30DT4.8	30 lbs	3/4" 14 NGT	Type 1 ACME & POL	375 PSIG	4.8"
PV40DT6.5	40 lbs	3/4" 14 NGT	Type 1 ACME & POL	375 PSIG	6.5"

# POL VALVE WITH OUTAGE SCREW & DIP TUBE

(Up to 100lbs Capacity)



POL Valve with Outage Screw & Dip Tube is used for up to 100 lbs. (22.8 Gallon Capacity) DOT propane cylinder. This valve is intended for use in vapor service for DOT Propane/ Propylene Cylinders up to 100 lbs. LP Gas capacity as fuel line shutoff valves in combination with a liquid fill & vapor relief valve.

## Key Features :

1. Heavy Duty One-piece aluminum handwheel.
2. Double o-ring stem seal for improved resistance to leakage due to dirt or temperature extremes.
3. Quality "O-ring" check valve seat, opens only with positive seal.
4. High capacity BTU withdrawal allows fast purging & filling.
5. Robust, durable forged brass body, precisely machined internal components and design elements meet the most stringent valve performance standards.
6. Valves are supplied with a fixed liquid level gauge and 375 PSI relief setting for propane service.
7. Standard dip tube length is 10.6. Other sizes are available upon request.



## Technical Data Sheet:

Model Name	Cylinder Capacity	Intel Connection	Outlet Connection	SRV Setting	Dip Tube Length
PV100DT10.6	100 lbs	3/4" 14 NGT	POL 0.885-14NGO-LH-INT (CGA510)	375 PSIG	10.6"

# COMBO MULTIFUNCTIONAL VALVE (MODEL CV 1)



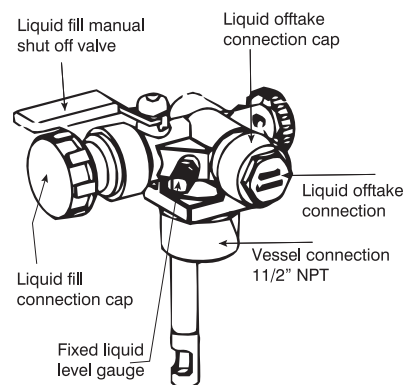
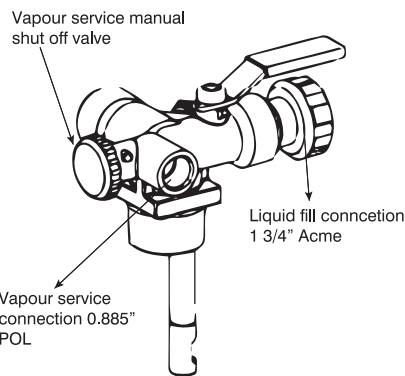
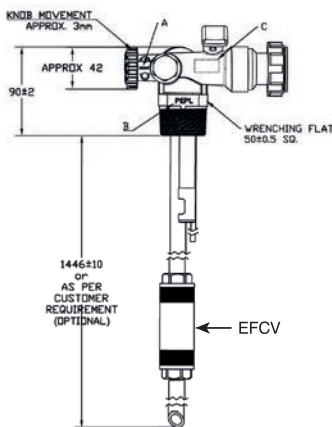
A prabha Combo Multifunctional Valve Model CV1 makes easy Liquid withdrawal and is suitable for bulk LPG Cylinders. The valve combines the Liquid LPG Filling, Liquid LPG offtake, LPG Vapour offtake and Fixed Level Gauge functions. Excess Flow Check Valve (EFCV) built-in also provided as per customer requirements.

## Product Technical Specifications:

1. Product Name: Combo Multifunctional Valve
2. Approval: PESO Approved
3. Product Standard :EN 13175
4. Working Pressure: 30 Bar
5. Operating Temperature : -20°C to 65 ° C
6. Inlet Connection: 1-1/2 " -11.5 NPT
7. Outlet Vapours Connection: P.O.L 0.885 LH
8. Filling Connection : 1-3/4 " – 6ACME-G
9. Liquid Outlet Connection: M36 X 2
10. Average Liquid Fill rate: 130 Liters/min.
11. Average Liquid Withdrawal Rate: 62.5 Liters / min.
12. Average Vapour Withdrawal Rate: 21 m3/hour

## Product feature:

- Easy to fit & Easy maintenance
- Less Leakage Points & Longer Service Life
- Combining multiple valves into one
- Reducing number of openings in the gas tank
- Liquid Fill with double Check valve



# COMBO MULTIFUNCTIONAL VALVE (MODEL CV 2)



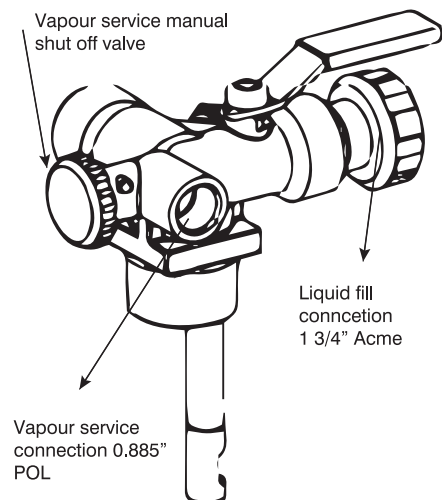
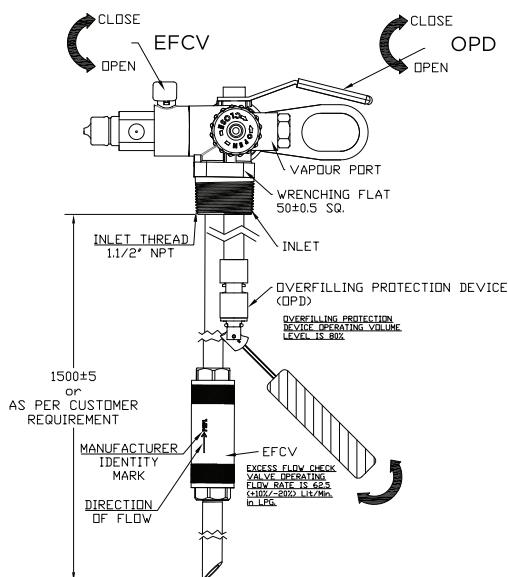
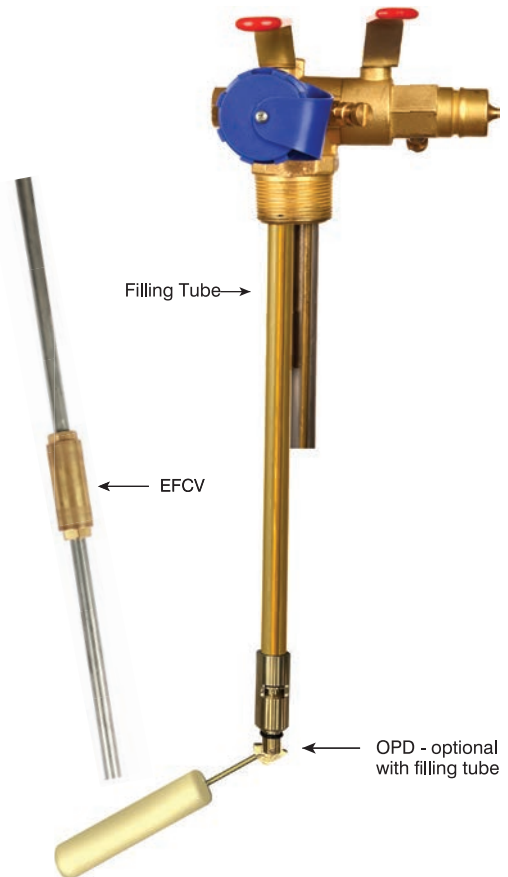
A prabha Combo Multifunctional Valve Model CV2 with integrated Actuator and makes easy Liquid withdrawal and is suitable for bulk LPG Cylinders (Upto 2200lbs). The valve combines the Liquid LPG Filling, Liquid LPG offtake, LPG Vapour offtake and Fixed Level Gauge functions. Overfilling protection device function (OPD) which will be provided as per customer requirement.

## Product Technical Specifications:

1. Product Name: Combo Multifunctional Valve (Model CV2)
2. Approval: PESO Approved
3. Product Standard :EN 13175
4. Working Pressure: 30 Bar
5. Operating Temperature : -20°C to 65 ° C
6. Inlet Connection: 1-1/2 " -11.5 NPT
7. Outlet Vapours Connection: P.O.L 0.885 LH
8. Filling Connection : 1-3/4 " – 6ACME-2G
9. Liquid Outlet Connection: Suitable for QCC
10. Average Liquid Fill rate: 130 Liters/min.
11. Average Liquid Withdrawal Rate: 62.5 Liters / min.
12. Average Vapour Withdrawal Rate: 21 m3/hour
13. Overfilling Protection Device : 80% of cylinder  $\pm$  15% volume

## Product feature:

- Easy to fit & Easy maintenance
- Less Leakage Points & Longer Service Life
- Combining multiple valves into one
- Reducing number of openings in the gas tank
- Liquid Fill with double Check valve
- Prevents from overfilling with OPD device function.
- Prevents from Excess flow with EFCV device function.



# QUICK COUPLING CONNECTOR(QCC)



A Prabha Quick Coupling Connector (QCC) is designed for use with Liquid LPG. When used in conjunction with Actuator /combo valve, it permits withdrawal of liquid LPG. Quick Coupling Connector (QCC) fitted with flexible hose of the manifold when fitted with self-closing valve of the Outlet side of actuator valve releases LPG to manifold when hand lever of actuator valve is operated

## Product Technical Specifications:

Product Name: Quick Coupling Connector (QCC)

Approval: PESO Approved

Product Standard : ISO 14245

Working Pressure: 30 Bar

Materials: Body: Brass, Rubber Parts: Nitrile,

Springs: Stainless Steel.

Operating Temperature : -20°C to 65 ° C

Inlet Connection: Click on type to suit with Actuator's

Outer Dia 29.0 mm for locking & sealing

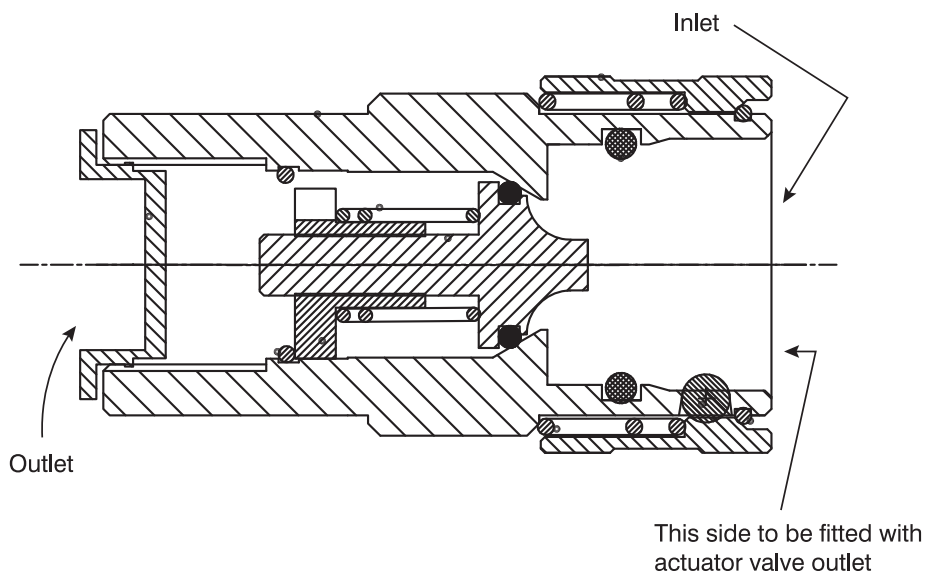
Outlet Connection : 3/4" BSPT X 14 TPI

Rated Flow: 62.5 Liters / min.



## Product Features :

1. Easy to fit & Easy maintenance
2. Less Leakage Points & Longer Service Life
3. QCC is used for instant engagement & disengagement with ball based clamping mechanism.
4. QCC form a leak proof connection when clamped onto Actuator valve which required to operate Combo Valve.



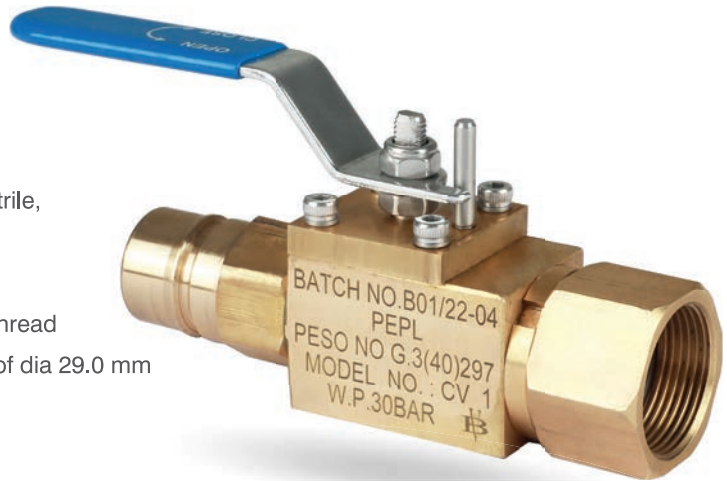
# ACTUATOR VALVE



A prabha Actuator Valve as the name suggests is Fitted on outlet port of Hippo/Jumbo/Sumo LPG Cylinder supplied by Oil Companies to actuate Combo Multifunctional Valve of cylinder to discharge of LPG from cylinder to Manifold System. This actuator valve is hand operated and also with self-closing valve Which will operate by Quick Coupling Connector (QCC) fitted with flexible hose of the manifold

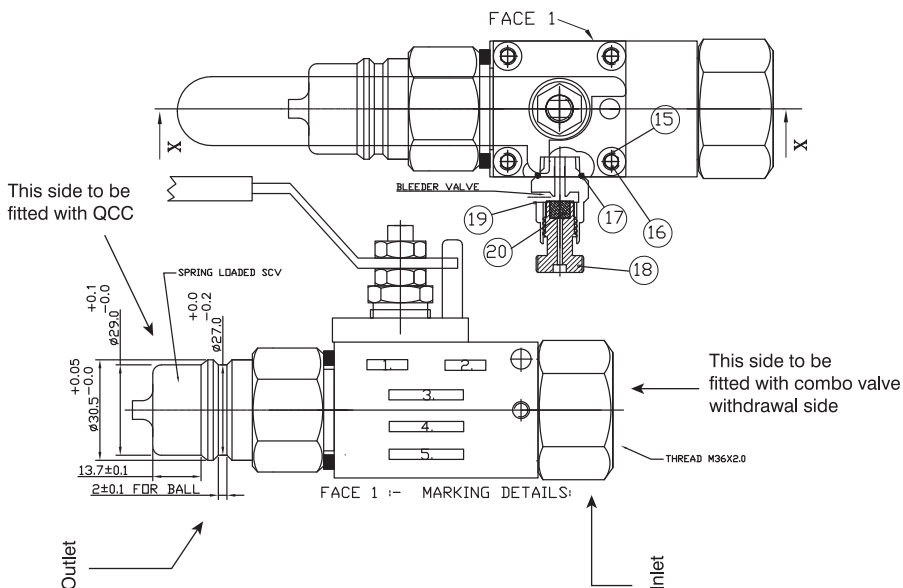
**Product Technical Specifications:**

- Product Name: Actuator Valve
- Approval: PESO Approved
- Product Standard : EN 13175
- Working Pressure: 30 Bar
- Materials: Body: Brass, Rubber Parts: Nitrile, Springs: Stainless Steel
- Operating Temperature : -20°C to 65 ° C
- Inlet Connection: M36 X 2 mm Female Thread
- Outlet Connection : Self Closing Valve of dia 29.0 mm suitable to inner Dia of QCC
- Rated Flow: 62-5 Litter/min



**Product Features :**

1. Easy to fit & Easy maintenance
2. Less Leakage Points & Longer Service Life
3. Actuator is enabled with self-closing valve
4. Actuator have manual Open/Close lever to operate & control the flow of LPG.
5. The lever has permanent marking of Open/Close direction.
6. Bleeder Valve is provided to check liquid flow during withdrawal of LPG from cylinder & to bleed out residual LPG and depressurize the actuator.



# PRESSURE RELIEF VALVE (PRV)



A Prabha Pressure Relief Valve (PRV) consists of Upper part i.e Safety Relief Valve (SRV) and Bottom Part i.e Check Valve (Isolation Valve). When used in conjunction with check valve (Isolation vane) permits the exchange of the relief valve(Upper part) without the necessity of evacuating the container. These external valves (i.e PRV) are designed for use as a primary relief valve on above ground domestic and industrial bulk LPG Containers.

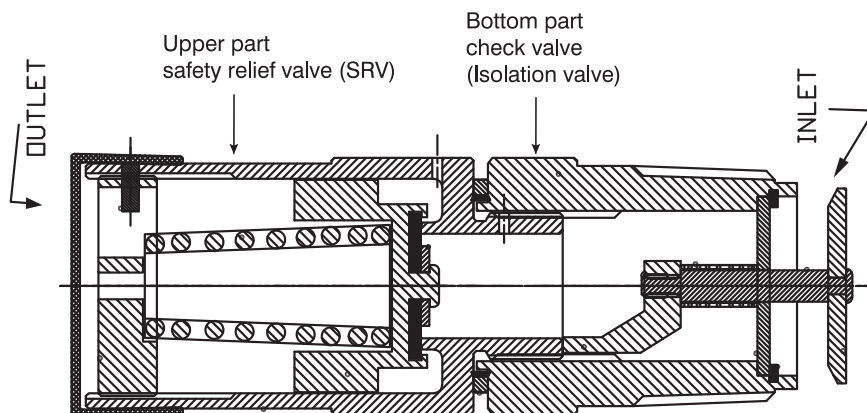
## Product Technical Specifications:

Product Name: Pressure Relief Valve (PRV)  
Approval: PESO Approved  
Product Standard : en 13953  
Set Pressure: 17.65 Bar  
Flow Rate: 58.29 M3/min (air)  
Inlet Connection of Check Valve: 1-1/4" NPT  
Inlet Connection of SRV: 3/4" NPSM  
Materials: Body: Brass, Rubber Parts: Nitrile,  
Springs: Stainless Steel.  
Operating Temperature : -20°C to 65 ° C



## Product Features :

1. Easy to fit & Easy maintenance
2. Less Leakage Points & Longer Service Life
3. Relief Valve provide `` pop action'' performance.
4. "Tell tale" hole is incorporated on the connection thread which indicates the check is closed and the valve may be removed.



# CERTIFICATIONS



मानक: पञ्चदशकः

Q

M

S

MSC-F6.4-15

फॉर्म III (स्कीम III के पैरा 3 के उप पैरा (5) को देखें)  
Form III (Refer Sub-Para (5) of Para 3 of Scheme III)

## भारतीय मानक ब्यूरो BUREAU OF INDIAN STANDARDS

गुणता प्रबंधन पद्धति प्रमाणन अनुज्ञप्ति

LICENCE FOR THE QUALITY MANAGEMENT SYSTEMS CERTIFICATION

राष्ट्रीय प्रत्यायन प्रमाणन निकाय बोर्ड, नई दिल्ली द्वारा प्रत्यायित  
(Accredited by National Accreditation Board for Certification Bodies, New Delhi)

अनुज्ञप्ति सं / Licence No./NR/QM/ L - 9004110

ब्यूरो, भारतीय मानक ब्यूरो अधिनियम, 2016 (2016 का 11) प्रदत्त शक्तियों के माते निम्नलिखित को मंजूरी देता है:

By virtue of the power conferred on it by the Bureau of Indian Standards Act 2016 (11 of 2016), the Bureau hereby grants to:-

मे प्रभा इलेक्ट्रॉनिक्स प्राइवेट लिमिटेड,  
ग्राम सुंदरान, पी.ओ - मुब्राकपुर,  
तहसील डेराबस्सी, एस.एस नगर-140201 (पंजाब)

M/s Prabha Electronics Pvt. Ltd.,  
Village Sundran, PO - Mubrakpur,  
Tehsil Derabassi, S.A.S Nagar-140201, (Punjab)

को (जिसे इसमें इसके पश्चात इसे अनुज्ञप्तिधारी कहा गया है) इस अनुसूची में वर्णित विशेष तौर पर उत्पाद एवं/या सेवाओं की प्रक्रियाओं के संबंध में ब्यूरो के गुणता प्रबंध प्रणाली प्रमाणन के अनुज्ञप्तिधारकों की ब्यूरो की सूची में इस अनुज्ञप्ति के अनुसार इसी संख्याधारक को अधिकार एवं अनुज्ञप्ति सूचीबद्ध किया जाए। आई एस/आई एस ओ 9001:2015 के अनुसार गुणता प्रबंध प्रणाली के अधीन उक्त दिए गए पते (पत्तों) पर केवल अनुज्ञप्तिधारक द्वारा ऐसे उत्पाद एवं/सेवाओं या प्रक्रियाओं को निर्मित किया/उपलब्ध कराया/ चलाया जायेगा।

(hereinafter called the Licensee) the right and licence to be listed in the Bureau's List (s) of Licensees of Quality Management Systems Certification in respect of the products and/or services of process particularly described in the schedule hereto, bearing the same number as this licence. Such products and/or services or processes shall be manufactured/ provided/carried out by the Licensee at only the address(es) given above, and under the Quality Management Systems in accordance with IS/ISO 9001:2015.

अनुज्ञप्ति उक्त अधिनियम एवं उनके अधीन नियमों तथा विनियमों के संबंधित उपबंधों की शर्त पर मंजूर किया गया है तथा उक्त संदर्भित अनुज्ञप्तियों को इसके तहत शासित किया जाता है, तथा अनुज्ञप्तिधारक उक्त नियमों एवं विनियमों का पालन किए जाने के लिए ब्यूरो के प्रति प्रतिज्ञाबद्ध है।

The licence is granted subject to the relevant provisions of the above Act and the Rules and Regulations made thereunder governing the licences referred to above, and the Licensee hereby covenants with the Bureau duly to observe with the said Rules and Regulations.

यह अनुज्ञप्ति तारीख 21/03/2024 से तारीख 20/03/2027 तक विधिमान्य रहेगा तथा विनियमों में यथा निहित पुनः प्रमाणन दिया जा सकेगा।

This licence shall be valid from 21/03/2024 to 20/03/2027 and may be recertified as prescribed in Regulations.

यह तारीख, अप्रैल 2024 के 22<sup>nd</sup> दिन को हस्ताक्षरित एवं मुहरांकित तथा दिनांकित किया गया।  
Signed, Sealed and dated this day of April 2024

(Rajeev)

उप महानिदेशक (उत्तर)

कृत भारतीय मानक ब्यूरो

Deputy Director General (North)

for BUREAU OF INDIAN STANDARDS

Certification Audit Date-15-17(FN)/03/ 2024

Certification Due Date-20/03/2027





Your partner  
for the best quality valves,  
delivered on time,  
at the best possible price!

Corporate Office  
**Prabha Electronics Pvt. Ltd.**  
Sundran, P. O. Mubarakpur,  
Tehsil Derabassi, S.A.S. Nagar,  
Punjab - 140201 India.  
+91 98888 54355  
+91 93543 72757

prabhaelec209@gmail.com  
marketing@prabhaelectronics.co.in  
info@prabhaelectronics.co.in

prabhaelectronics.co.in

Scan & Download Our Brochure



**PRABHA**  
ELECTRONICS PVT. LTD.

An ISO 9001 : 2015 Certified Company.

Manufactures of LPG Regulators, Valves, Liquid Off Take Valves,  
Pressure Die Casting Items and Industrial Valves

[www.prabhaelectronics.co.in](http://www.prabhaelectronics.co.in)